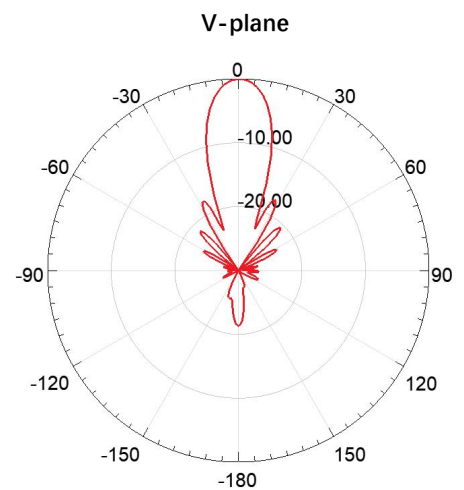
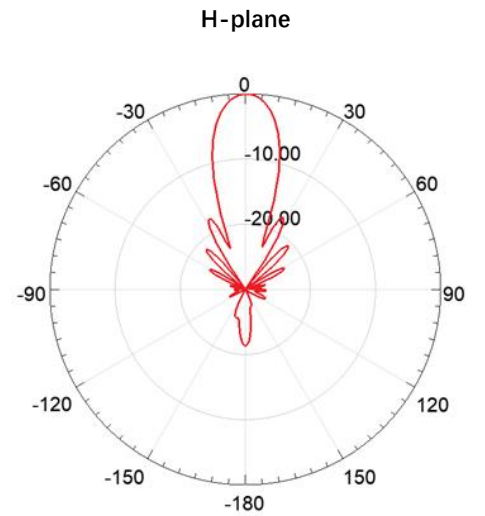


1710-2690MHz 2-Port Single Beam Lens Antenna

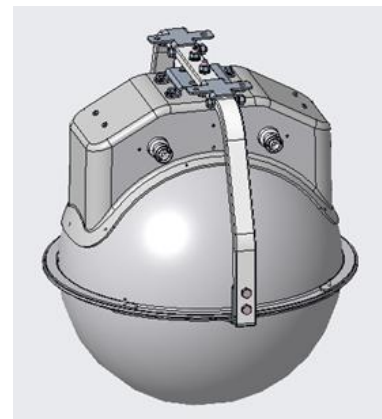
Electrical Specifications

Product Name	2-Port Single Beam Lens Antenna
Model	EHS1LB035A
Frequency (MHz)	1710-2690
Number of Port	2
Gain (dBi)	17±2
Number of Beam	1
Horizontal Beam Pointing(°)	0
Horizontal 3dB Beam width (°)	23±5
Horizontal 10dB Beam width (°)	38±9
Vertical 3dB Beam width (°)	24±4
Vertical 10dB Beam width (°)	39±9
Beam Crossing (dB)	/
Horizontal Coverage(°)	60
Upper Sidelobe Suppression	-15
Front to Back Ratio (dB)	>25
Polarization (°)	±45
Isolation of Polarized Ports (dB)	≥25
Isolation of Beam Ports (dB)	/
VSWR	≤1.5
Input Impedance (Ω)	50
Power Rating (W)	2×200
Intermodulation IM3 (dBm, 2×43dBm)	≤-107



Mechanical Specifications

Mechanical Down-Tilt (°)	0~20
Antenna Dimension (mm)	474×448×448
Packaging Dimension (mm)	590×535×615
Net Weight (Kg)	5.4
Gross Weight (Kg)	11
Clip Weight (Kg)	2.8
Connector	2*7/16DIN-Female
Mounting Pole Diameter (mm)	40-114
Radome Material	ASA
Rated Wind Velocity (m/s)	55
Operating Temperature (°C)	-40~+70
Operating Humidity	5%~95%
Lighting Protection	DC Ground



Schematic diagram of antenna